



# IE Series

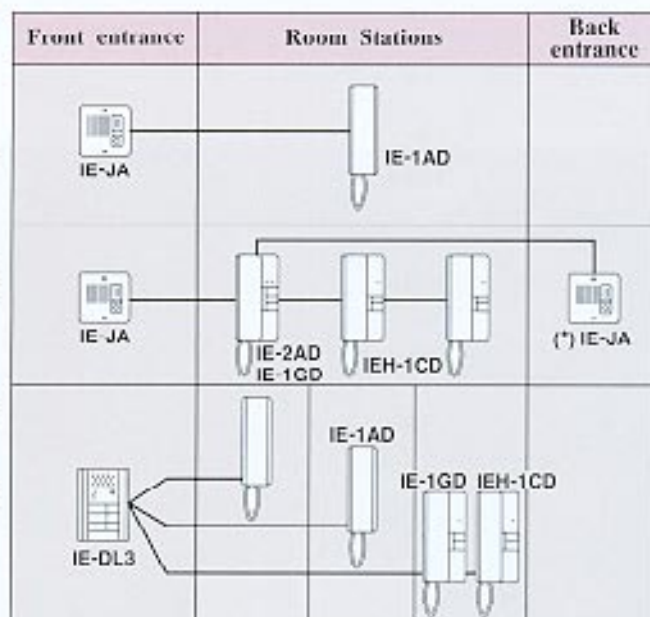
## Entry Security System Chime-Tone Intercom



# Identifies Visitors Before You Open The Door.

## FEATURES

- 3 systems to choose from
- Electronic chime tone
- Answer the door from any room station
- Room-to-room communication
- Single AC 12V power supply for both communication and door release
- Connects to door release system
- Chime call can be turned down or off at sub stations
- Broad selection of door stations to choose from



(\*) Second door station not available in IE-1GD system.

### Door Stations



IF-DA



IE-DC



IE-NC



IE-JA



IE-DL3



IE-FY

### Call Extension



IER-2  
(Chime only)

### Door Release



EL-9S  
AC 12V, 0.35A



PT-1210N  
(US only)

## SPECIFICATIONS

* Power source:	AC 12~16V, 200mA DC 12~24V, 200mA
* Calling:	4-stroke electronic chime 2-stroke electronic chime (with volume control)
* Wiring:	2 to door (non-polarized) 2 to door release 6 between room stations
* Distance:	150m w/0.65mm (500' w/22AWG) to door 75m w/0.65mm (250' w/22AWG) between rooms

IE-DL 1~3 door stations are made of rigid aluminum which mounts directly on the surface of any building. A total of three locations can be called from a single entrance.

IE Chime tone intercoms can also be used with two Video Entry Systems (MY-U and MY-CU PanTilt). For details on these or any other Aiphone system, refer to Aiphone's Video GB or General Line Catalog.

Distributed by;



COMMUNICATION SYSTEMS

**AIPHONE**

HOME, BUSINESS, INDUSTRY.

IE-B(E)0692A

Printed in Japan(F)