



MULTI-CHANNEL INTERCOM SYSTEM

COMMUNICA **TD-H/B**



Telephone Type for Flexible Internal Communications

- Multiple talkpaths allow several people to use the system at once
- Up to two entrance stations with door release can be included
- Video door stations can be used with MY monitors
- Conference calling with up to 3 people on the line
- Paging through overhead speakers to one or multiple zones
- Up to 25 stations can be included (each door or paging zone counts as a station)
- Reinforced coil cord connectors ensure long term durability
- Plug-in connectors keep installation simple and easy
- External signalling devices can be used in high noise areas

SPEAKER

Durable shock-resistant ceramic speaker

PAGING BUTTON

Protected inside the handset, press to broadcast message through speakers.

MICROPHONE

ECM (Electret Condenser Microphone) provides clear voice fidelity.

DURABLE COIL CORD

The coil cord is secured to provide durability and long life.

STATION SELECTORS BUTTON

Select a station with pre-assigned station numbers.

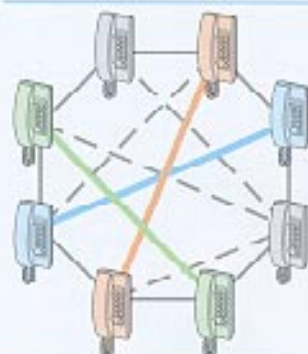
CALL BUTTON

Press CALL to sound electronic call tone.



Exclusive TD-H System Features:

The TD-H handset style selective-call system, used for internal communications in an office, factory, warehouse, store, restaurant or home, leaves the telephone system free for important outside calls.



MULTIPLE TALK CHANNELS



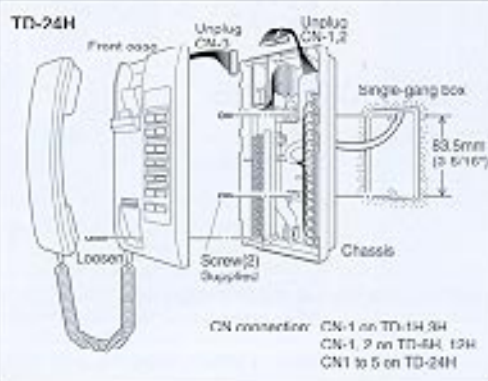
A number of individual conversations can occur simultaneously, as compared to common talk systems, where one conversation occupies the entire system. There is a talk channel available for every pair of stations in the system. For example, with a 12-station system, 6 independent conversations can be happening at once, which is essential for business and industrial uses.



EASY INSTALLATION AND MAINTENANCE



Installation is fast and easy, with all wire connections made in the back case. Simply plug the connectors from the back case into the intercom unit and tighten one screw. Maintenance, if ever needed, is made easy since no wires have to be removed to replace a unit.



PAGING

The TD-H System can page one or more areas, with the option of having hands-free reply through the paging speakers. Multiple zones can be paged from the system, allowing the user to customize the system to their facility.

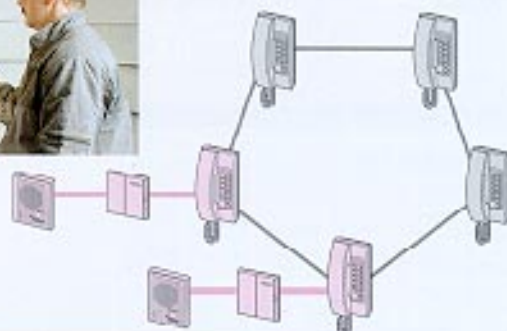


DOOR ANSWERING

Along with its internal communication and paging capabilities, the TD-H can also be used to answer calls from exterior doors, and unlock them using an optional electric door strike.



One or two doors can call into the system with the caller talking hands-free. Door locks can be released selectively from the inside stations.



SYSTEM COMPONENTS AND ACCESSORIES

•Master stations



TD-1H/B
1 call master



TD-3H/B
3 call master



TD-6H/B
6 call master



TD-12H/B
12 call master



TD-24H/B
24 call master



Terminal box
TDW-1/A for TD-1H/B
TDW-3/A for TD-3H/B
TDW-6/A for TD-6H/B
TDW-12/A for TD-12H/B
TDW-24/A for TD-24H/B



Power supply
PS-12A
(PS-12C in North America)

•Accessories



Door station
IF-DA
IE-JA



Video door station
MY-DC
MY-FA
MY-EA



Door station
adaptor
DE-UR



Video monitor
MY-CU
MYH-CU



Paging
adaptor
PD-1



Relay
RY-AC/A



Speaker
SP-3NA

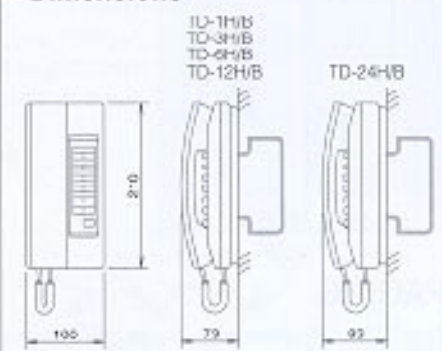


Amplifier
PG-10D

SPECIFICATIONS

Power source	DC12V. Max. 70mA per station. Use PS-12A or PS-12C power supply for a system.										
Calling	Station-select button 1-12 and Call button, rings with tremolo tone. Rings while Call button is held down. (On TD-24H, 1-12 and Call A button rings A1 - A12 stations)										
Communication	Multi-talk path, simultaneous intercom. When called by tremolo tone from other station, pick up the handset.										
Added feature counts as a station, assigning a selector # button (any) on TD-H station(s).											
Door station	Max. 2 door stations IE/IF Series or PanTilt video, using DE-UR for each. Rings max. 12 TD-H stations with intermittent tremolo tone 2.5 sec.-timed. *Call tone selector A or B (faster) on DE-UR for 2 doors.										
Zone page	Multiple zones , using a PD-1 or PD-2 (w/talkback), amplifier and an appropriate number of speakers for each.										
Wiring	<table border="1"> <thead> <tr> <th>TD-1H</th> <th>TD-3H</th> <th>TD-6H</th> <th>TD-12H</th> <th>TD-24H</th> </tr> </thead> <tbody> <tr> <td>4 cond.</td> <td>7 cond.</td> <td>10 cond.</td> <td>18 cond.</td> <td>28 cond.</td> </tr> </tbody> </table> <p>3 wires common + 1 for each selective calling</p>	TD-1H	TD-3H	TD-6H	TD-12H	TD-24H	4 cond.	7 cond.	10 cond.	18 cond.	28 cond.
TD-1H	TD-3H	TD-6H	TD-12H	TD-24H							
4 cond.	7 cond.	10 cond.	18 cond.	28 cond.							
Wiring distance	650m with 0.65mm diameter. 2,000' with 22AWG.										
Weight	<table> <tr> <td>TD-1H ... 410g (0.90 lbs.)</td> <td>TD-3H ... 430g (0.95 lbs.)</td> </tr> <tr> <td>TD-6H ... 440g (0.97 lbs.)</td> <td>TD-12H ... 460g (1.01 lbs.)</td> </tr> <tr> <td>TD-24H ... 520g (1.14 lbs.)</td> <td></td> </tr> </table>	TD-1H ... 410g (0.90 lbs.)	TD-3H ... 430g (0.95 lbs.)	TD-6H ... 440g (0.97 lbs.)	TD-12H ... 460g (1.01 lbs.)	TD-24H ... 520g (1.14 lbs.)					
TD-1H ... 410g (0.90 lbs.)	TD-3H ... 430g (0.95 lbs.)										
TD-6H ... 440g (0.97 lbs.)	TD-12H ... 460g (1.01 lbs.)										
TD-24H ... 520g (1.14 lbs.)											

• Dimensions



- The specifications and appearance of this product are subject to change without notice due to improvement.
- The color of the actual product may vary slightly from that shown in the catalog due to printing processes.

For other features or specifications, please contact your Aiphone dealer.

Distributed by:



COMMUNICATION SYSTEMS
AIPHONE
HOME, BUSINESS, INDUSTRY.