



# PROX-HID

## HID FORMAT

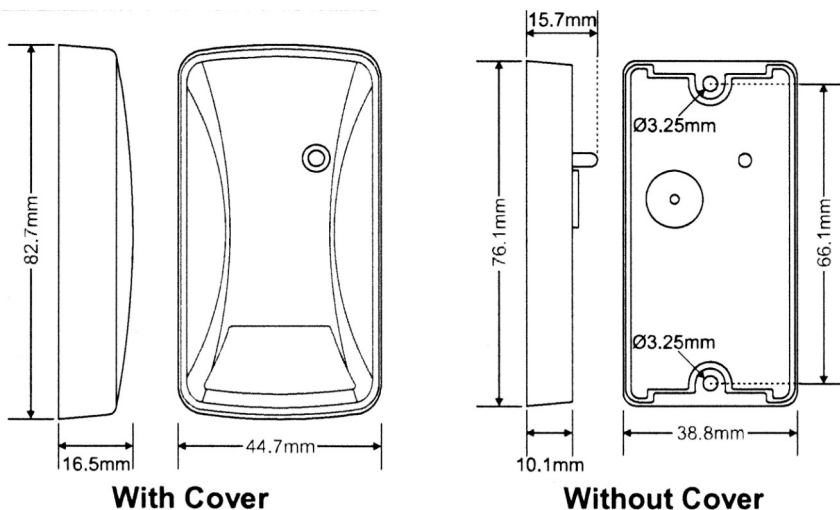
### PROXIMITY CARD READER

#### SPECIFICATIONS



- **Input Voltage :** 10.5 to 15 volts D.C.
- **Current usage :** 100 ma (max)
- **Weight :** 80 grams.
- **Output :** Wiegand 26 bit.
- **Read Range :** Up to 5cm
- **Excitation Frequency :** 125Khz  $\pm$  5 Khz
- **Operating Temperature :** -30°C to 70°C
- **Cabling Requirements :** Wiegand interface  
Up to 150mts  
Shielded cable

PROX-HID



**Manufactured by:**  
Nidac Security P/L  
2 Cromwell Street  
Burwood, Victoria 3125 Australia  
PH: +61 3 98086244  
Fax: +61 3 98089335  
Www.nidac.com